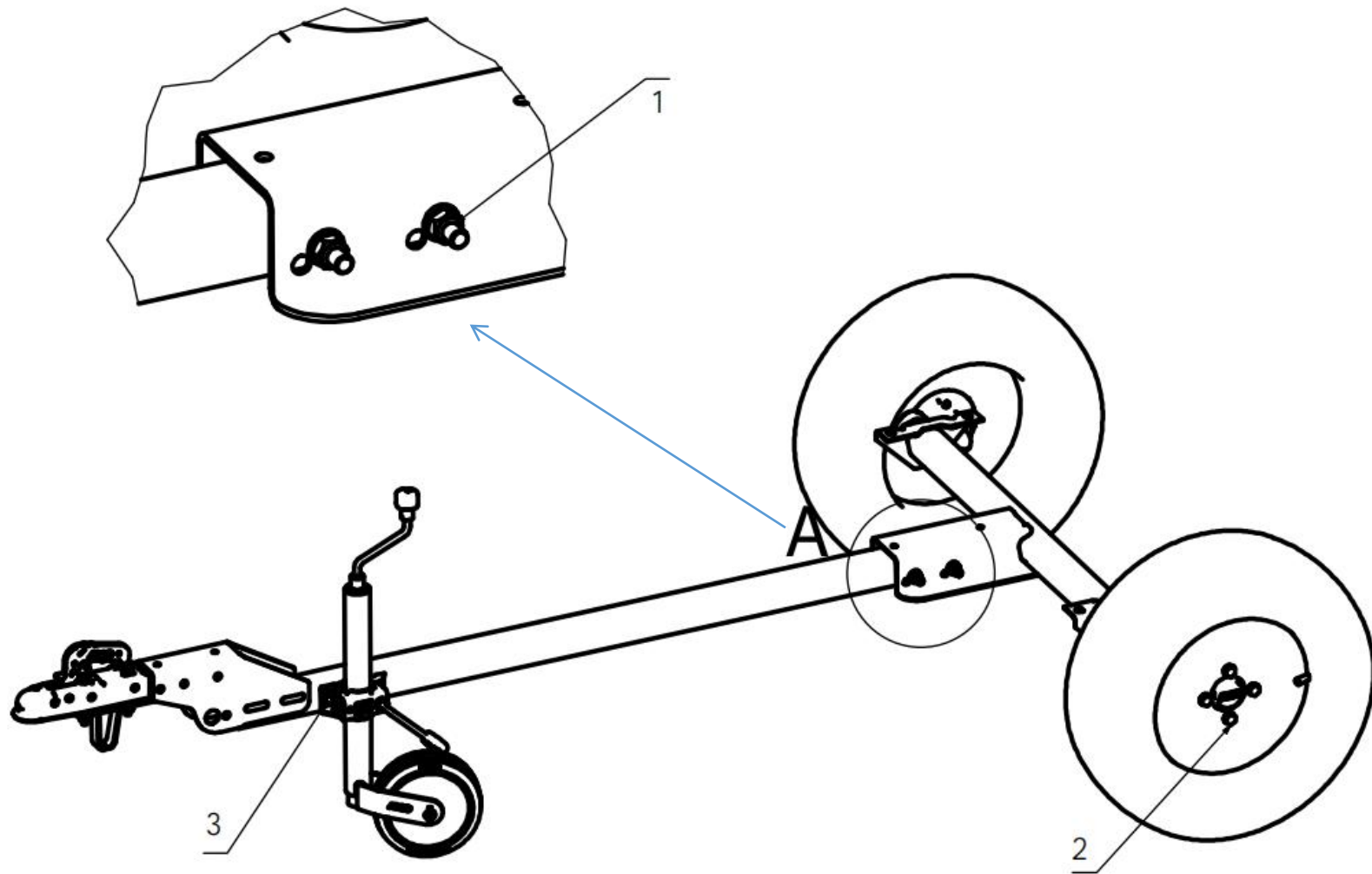
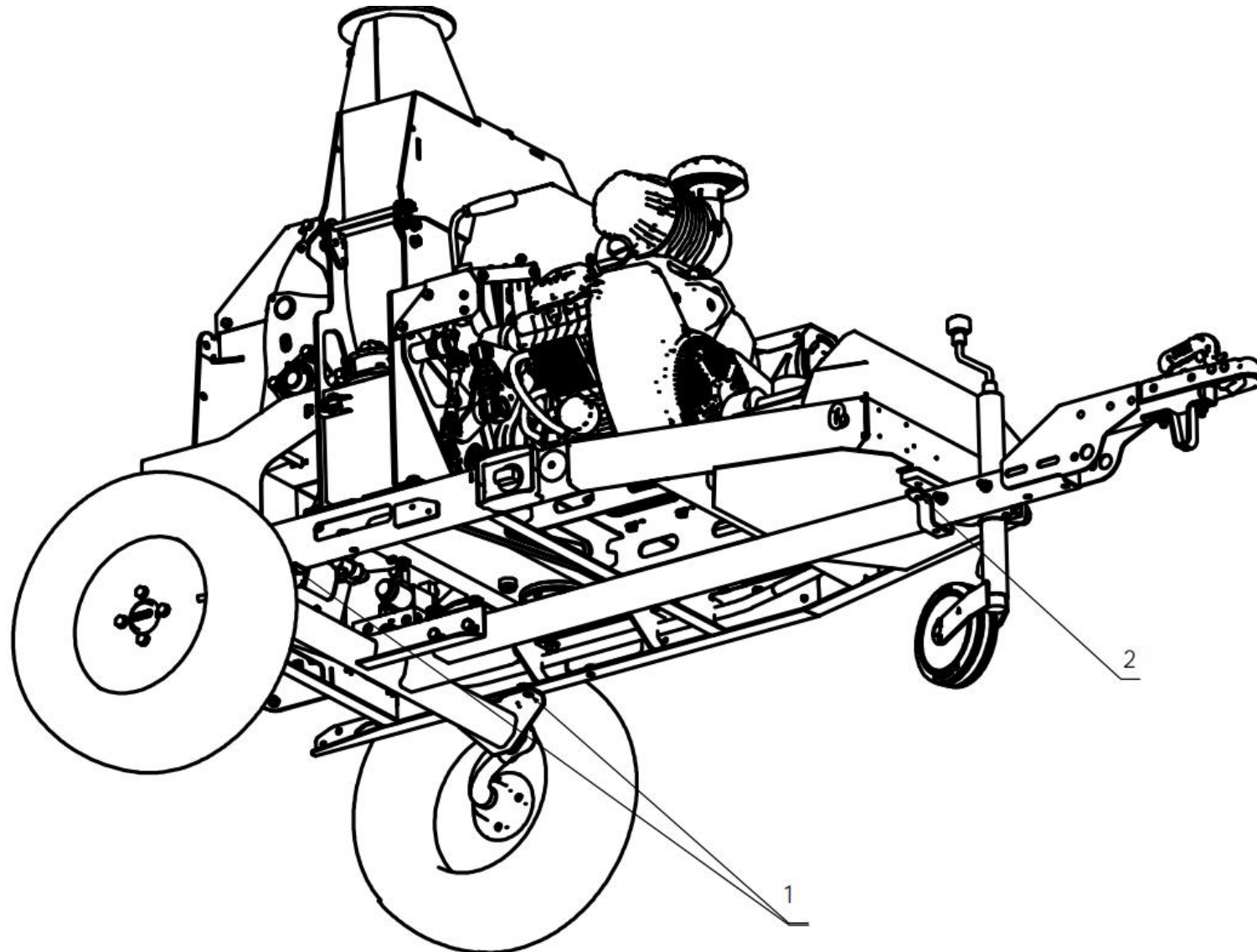


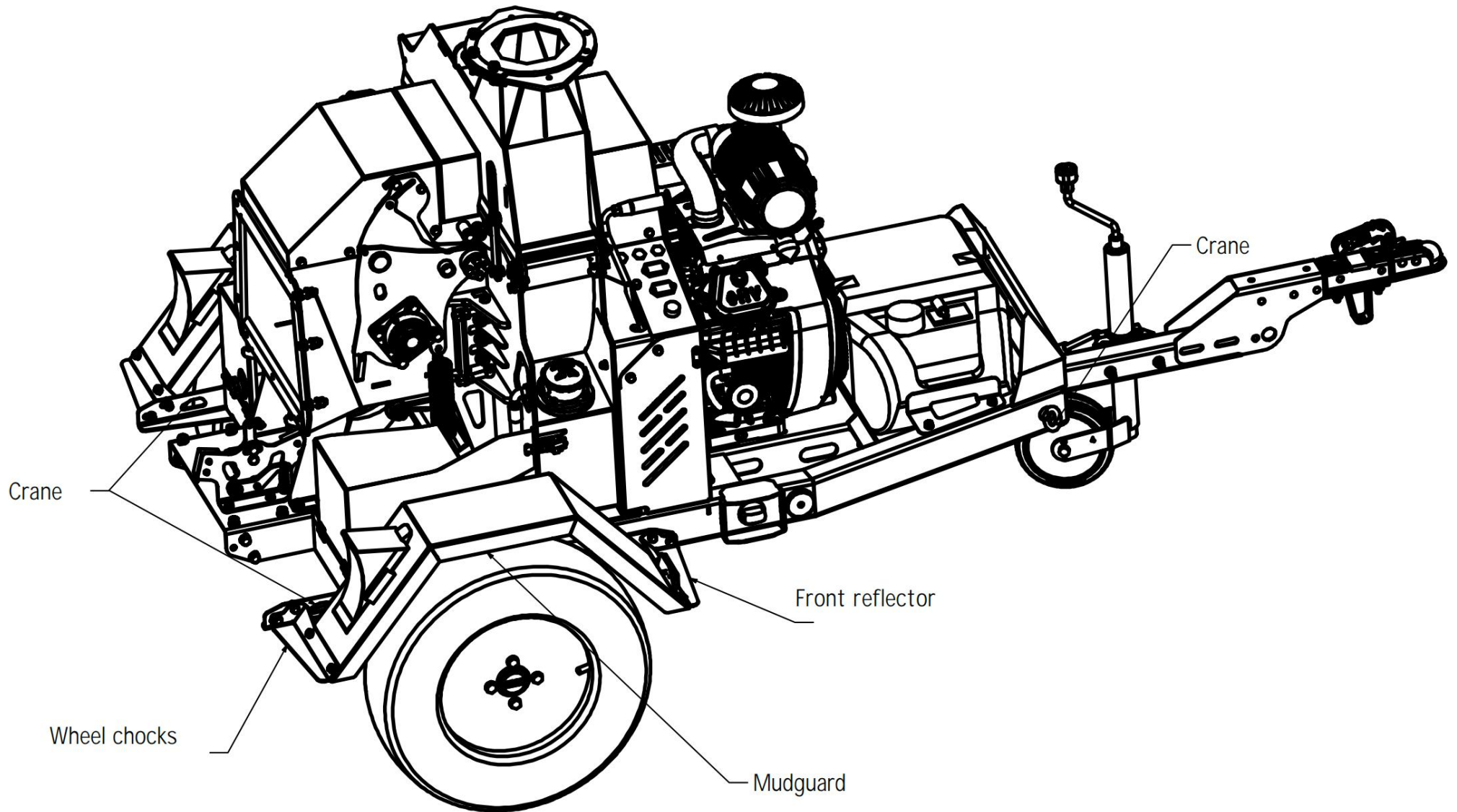
In General, assembly instruction



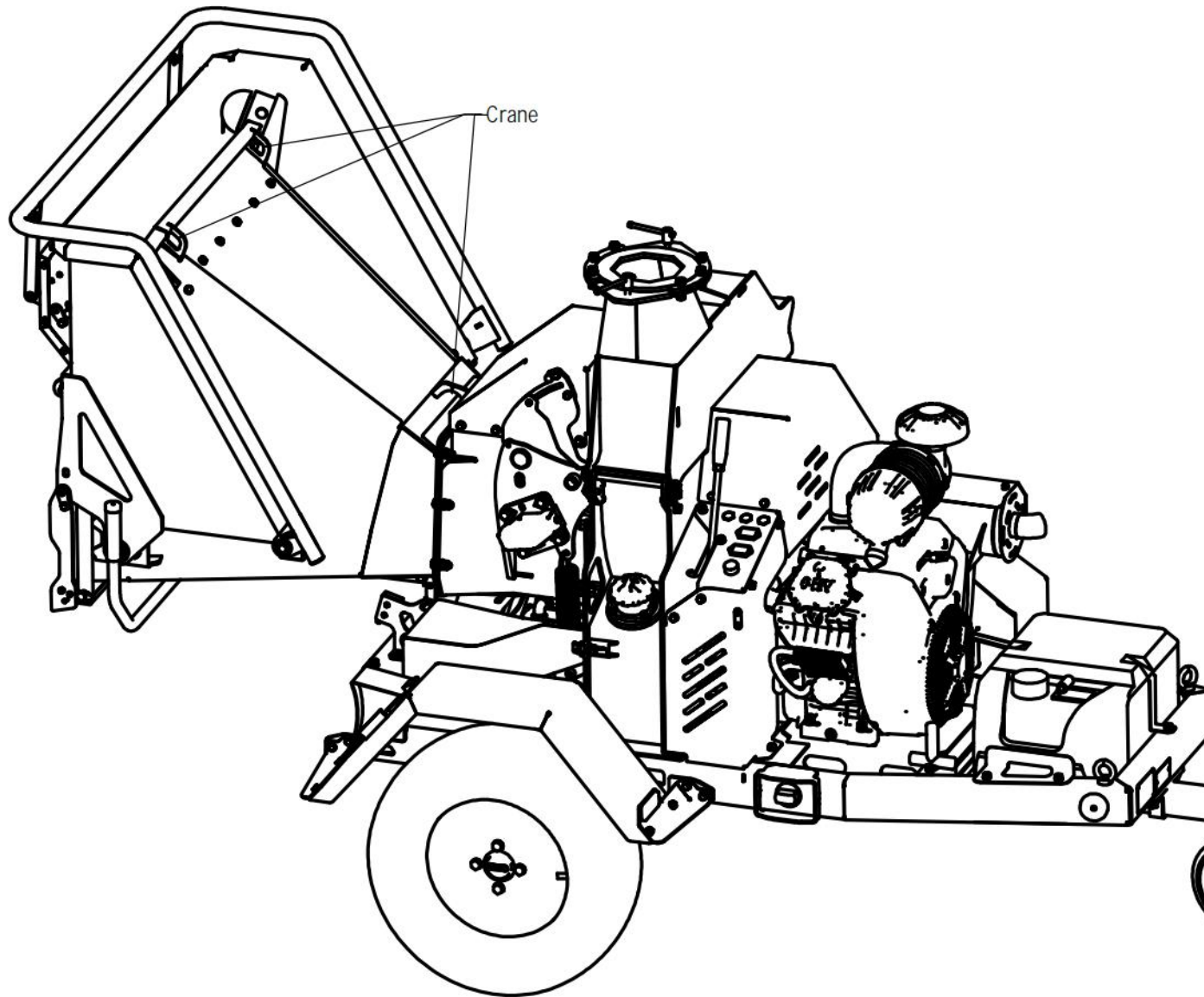
Axle assembly and wheel assembly. Attention to #1 bolts position



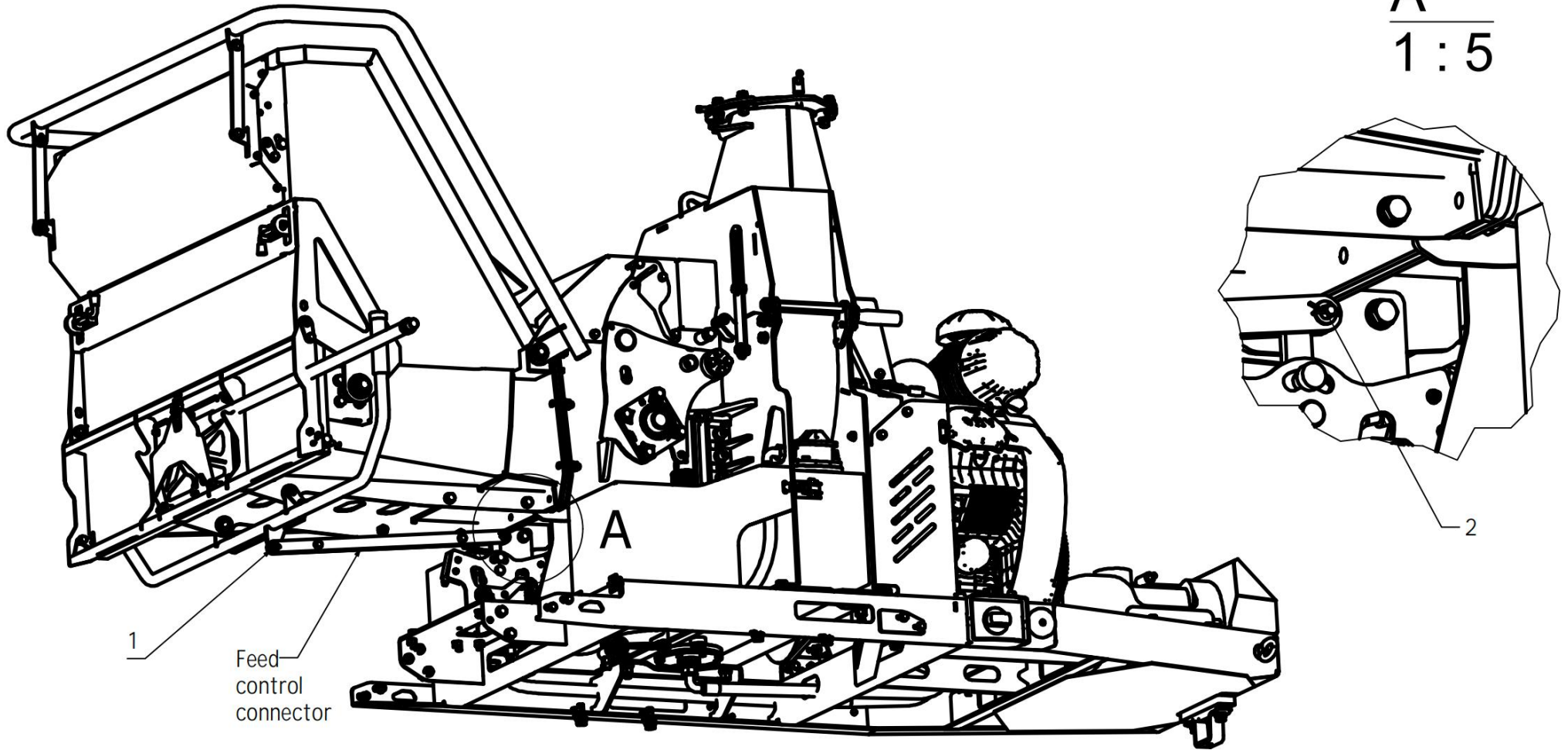
#1 Bolts to fix chassis to axle, #2 clamp tow bar to chassis



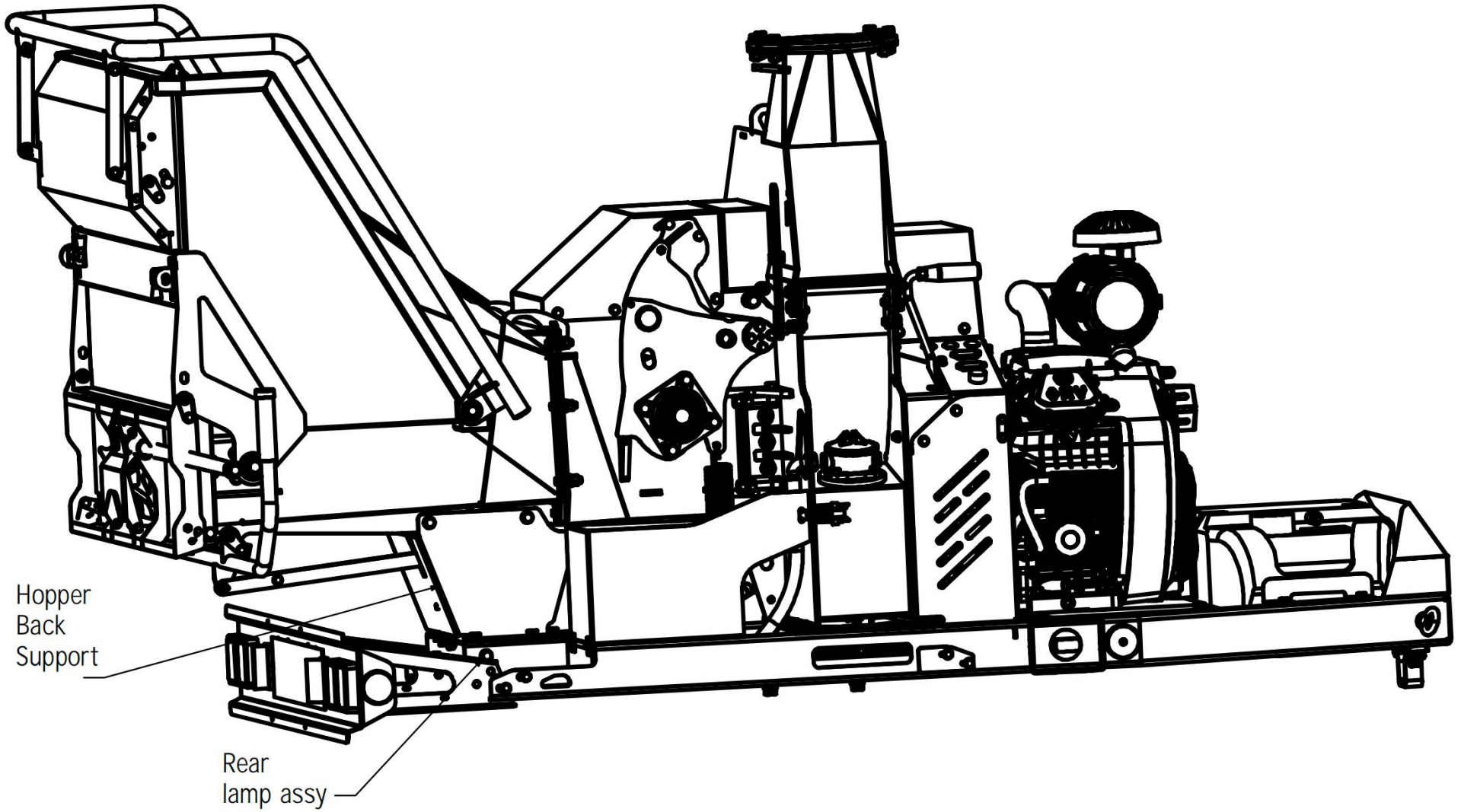
Mudguard assembly, attention to position of FRONT reflector and wheel chocks.



Hook the position and tighten the bolt



Connector locked by pin and split pin



Put back the support and connect the lamp cable, attention, yellow for left and green for right